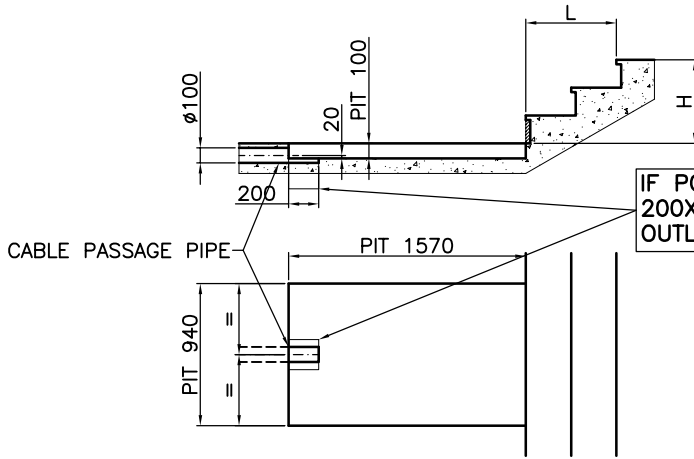


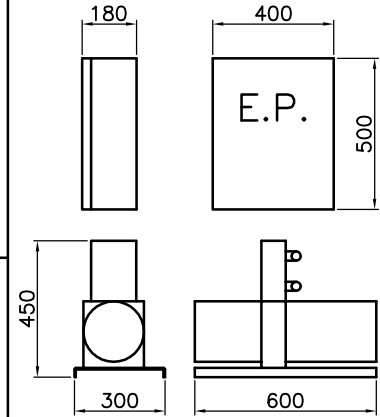
IN THE CASE OF SYSTEM PREPARED FOR FLOORING THE PIT DEPTH MUST BE INCREASED BY 30 MM AMOUNTING TO THE FORESEEN AND MAXIMUM THICKNESS OF THE COVERING.



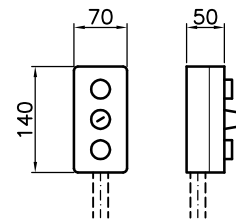
IF POSSIBLE PLACE A 200X200X200 WELL AT THE OUTLET OF PIPES AND CABLES

MODEL	CAPACITY	H	L
Z-SLIM	300 Kg	MAX. 500	MAX. 900
Z-SLIM SUPER	300 Kg	MAX. 780	MAX. 900

CONTROL UNIT AND PANEL DIMENSION (SCALE 1/25)



LANDING BUTTON STRIP (SCALE 1/10)



THE BUTTON STRIPS MUST BE PLACED NEAR THE STRUCTURE AT A HEIGHT OF APPROX. 1000 mm. THE BUTTON STRIPS MUST BE EMBEDDED BY 30 mm

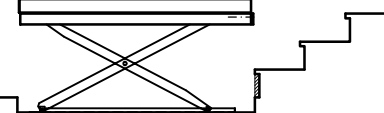
MACHINE CLOSED AT REST



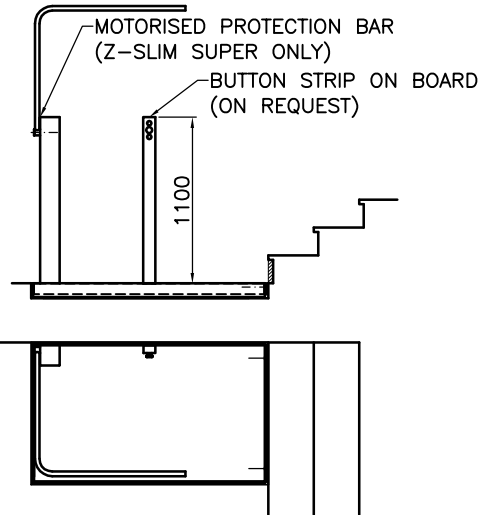
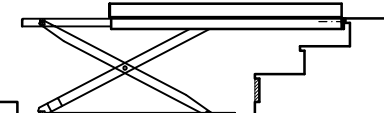
STEP 1 THE PERIMETRAL PROTECTIONS RISE



STEP 2 THE MACHINE RISES



STEP 3 THE UPPER PLATFORM TRANSFERS



380V THREE-PHASE - 220V MONOPHASE POWER SUPPLY
MOTOR 1.1 KW
24 V DC LANDING BUTTON STRIP
POWER ON BOARD 24 VDC

THE PIT MUST BE MADE OF REINFORCED CONCRETE. IT MUST HAVE THE EXACT DIMENSIONS GIVEN IN THE DRAWING AND WITH THE HOLES FOR PASSING THE CABLES. THE BOTTOM MUST BE PERFECTLY FLAT AND LEVEL AND THE WALLS PERFECTLY PLUMB AND SQUARED. PLACE A 100 mm DIA. HOSE FOR ELECTRIC SYSTEMS, POSITIONED EXACTLY AS ON THE DRAWING, FROM THE PIT TO THE PLACE OF INSTALLATION OF THE CONTROL UNIT AND MACHINE CONTROL PANEL FOR PASSING PIPES AND CONNECTION CABLES. ALSO PREPARE TWO 20 mm DIA. SHEATHS FROM THE PLACE OF INSTALLATION OF THE CONTROL PANEL TO THE TWO LANDING BUTTON STRIPS. IF THE SYSTEM IS INSTALLED OUTDOORS, ALSO PROVIDE A DRAIN ON THE BOTTOM OF THE PIT FOR ANY RAIN WATER.

 <p>FABOC due S.r.l. Via Toscana, 148 50052 Certaldo (FI) Tel. 0571-662474 Fax. 0571-666865 E-mail: tec@fabocdue.it</p>	Disegnatore	Lavezzini F.	Scala	1/50	Disegno N°	SCH-021	Mod.	0
	Data	27-02-07			Nome file	SCH021-0		
	Descrizione	TRANSFER-LIFT TECHNICAL SHEET						
	MODEL "Z-SLIM"							

This drawing is the exclusive property of FABOC due S.r.l. and may not be copied or divulged to others without our permission (current copyright laws)